

SKiIP 03NAC12T4V1



MiniSKiIP® 0

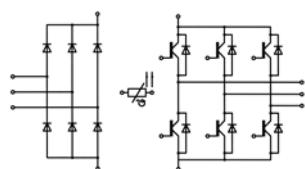
SKiIP 03NAC12T4V1

Features

- Trench 4 IGBTs
- Robust and soft freewheeling diodes in CAL technology
- Highly reliable spring contacts for electrical connections
- UL recognised: File no. E63532

Remarks

- Max. case temperature limited to $T_C=125^\circ\text{C}$
- Product reliability results valid for $T_j \leq 150^\circ\text{C}$ (recommended $T_{j,op} = -40 \dots +150^\circ\text{C}$)
- Temperature sensor: No basic insulation to main circuit, max. potential difference 850V to -DC

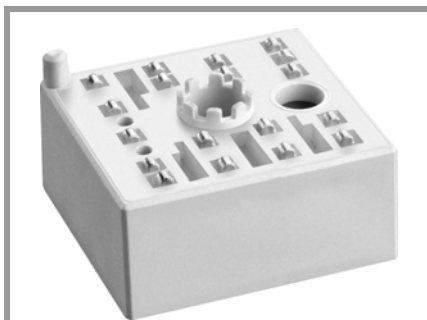


NAC

Absolute Maximum Ratings				
Symbol	Conditions	Values	Unit	
Inverter - IGBT				
V_{CES}	$T_j = 25^\circ\text{C}$	1200	V	
I_C	$T_j = 150^\circ\text{C}$	$T_s = 25^\circ\text{C}$	7.5	A
		$T_s = 70^\circ\text{C}$	7.5	A
I_C	$T_j = 175^\circ\text{C}$	$T_s = 25^\circ\text{C}$	7.5	A
		$T_s = 70^\circ\text{C}$	7.5	A
I_{Cnom}		8	A	
I_{CRM}	$I_{CRM} = 3 \times I_{Cnom}$	24	A	
V_{GES}		-20 ... 20	V	
t_{psc}	$V_{CC} = 800\text{ V}$ $V_{GE} \leq 15\text{ V}$ $V_{CES} \leq 1200\text{ V}$	$T_j = 150^\circ\text{C}$	10	μs
T_j		-40 ... 175	$^\circ\text{C}$	
Inverse - Diode				
V_{RRM}	$T_j = 25^\circ\text{C}$	1200	V	
I_F	$T_j = 150^\circ\text{C}$	$T_s = 25^\circ\text{C}$	9	A
		$T_s = 70^\circ\text{C}$	9	A
I_F	$T_j = 175^\circ\text{C}$	$T_s = 25^\circ\text{C}$	9	A
		$T_s = 70^\circ\text{C}$	9	A
I_{Fnom}		8	A	
I_{FRM}	$I_{FRM} = 3 \times I_{Fnom}$	24	A	
I_{FSM}	$t_p = 10\text{ ms}$, $\sin 180^\circ$, $T_j = 150^\circ\text{C}$	36	A	
T_j		-40 ... 175	$^\circ\text{C}$	
Rectifier - Diode				
V_{RRM}	$T_j = 25^\circ\text{C}$	1600	V	
I_F	$T_s = 25^\circ\text{C}$, $T_j = 150^\circ\text{C}$	39	A	
I_{Fnom}		8	A	
I_{FSM}	$t_p = 10\text{ ms}$ $\sin 180^\circ$	$T_j = 25^\circ\text{C}$	220	A
		$T_j = 150^\circ\text{C}$	200	A
I^2t	$t_p = 10\text{ ms}$ $\sin 180^\circ$	$T_j = 25^\circ\text{C}$	242	A^2s
		$T_j = 150^\circ\text{C}$	200	A^2s
T_j		-40 ... 150	$^\circ\text{C}$	
Module				
$I_t(\text{RMS})$	$T_{\text{terminal}} = 80^\circ\text{C}$, 20 A per spring		A	
T_{stg}		-40 ... 125	$^\circ\text{C}$	
V_{isol}	AC sinus 50 Hz, 1 min	2500	V	

Characteristics					
Symbol	Conditions	min.	typ.	max.	Unit
Inverter - IGBT					
$V_{CE(sat)}$	$I_C = 8\text{ A}$ $V_{GE} = 15\text{ V}$ chiplevel	$T_j = 25^\circ\text{C}$	1.85	2.10	V
		$T_j = 150^\circ\text{C}$	2.25	2.45	V
V_{CE0}	chiplevel	$T_j = 25^\circ\text{C}$	0.8	0.9	V
		$T_j = 150^\circ\text{C}$	0.7	0.8	V
r_{CE}	$V_{GE} = 15\text{ V}$ chiplevel	$T_j = 25^\circ\text{C}$	131	150	$\text{m}\Omega$
		$T_j = 150^\circ\text{C}$	194	206	$\text{m}\Omega$
$V_{GE(th)}$	$V_{GE} = V_{CE}\text{ V}$, $I_C = 1\text{ mA}$	5	5.8	6.5	V
I_{CES}	$V_{GE} = 0\text{ V}$ $V_{CE} = 1200\text{ V}$	$T_j = 25^\circ\text{C}$	0.1	0.3	mA
					mA
C_{ies}	$V_{CE} = 25\text{ V}$	$f = 1\text{ MHz}$	0.49		nF
C_{oes}	$V_{GE} = 0\text{ V}$	$f = 1\text{ MHz}$	0.05		nF
C_{res}		$f = 1\text{ MHz}$	0.03		nF

SKiIP 03NAC12T4V1



MiniSKiIP® 0

SKiIP 03NAC12T4V1

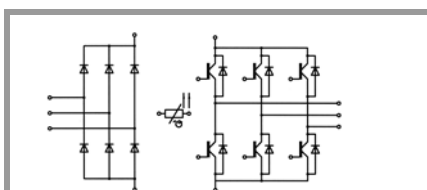
Features

- Trench 4 IGBTs
- Robust and soft freewheeling diodes in CAL technology
- Highly reliable spring contacts for electrical connections
- UL recognised: File no. E63532

Remarks

- Max. case temperature limited to $T_C=125^\circ\text{C}$
- Product reliability results valid for $T_j \leq 150^\circ\text{C}$ (recommended $T_{j,op} = -40 \dots +150^\circ\text{C}$)
- Temperature sensor: No basic insulation to main circuit, max. potential difference 850V to -DC

Characteristics					
Symbol	Conditions	min.	typ.	max.	Unit
Inverter - IGBT					
Q_G	- 8 V...+ 15 V		45		nC
R_{Gint}	$T_j = 25^\circ\text{C}$		0		Ω
$t_{d(on)}$	$V_{CC} = 600\text{ V}$	$T_j = 150^\circ\text{C}$	32		ns
t_r	$I_C = 8\text{ A}$	$T_j = 150^\circ\text{C}$	34		ns
E_{on}	$R_{G on} = 47\ \Omega$	$T_j = 150^\circ\text{C}$	0.9		mJ
$t_{d(off)}$	$R_{G off} = 47\ \Omega$	$T_j = 150^\circ\text{C}$	295		ns
t_f		$T_j = 150^\circ\text{C}$	68		ns
E_{off}	$V_{GE} = +15/-15\text{ V}$	$T_j = 150^\circ\text{C}$	0.7		mJ
$R_{th(j-s)}$	per IGBT, $\lambda_{paste}=0.8\text{ W/K}\cdot\text{m}$		1.84		K/W
Inverse - Diode					
$V_F = V_{EC}$	$I_F = 8\text{ A}$	$T_j = 25^\circ\text{C}$	2.3	2.7	V
	$V_{GE} = 0\text{ V}$	$T_j = 150^\circ\text{C}$	2.4	2.7	V
	chipelevel				
V_{F0}		$T_j = 25^\circ\text{C}$	1.3	1.5	V
	chipelevel	$T_j = 150^\circ\text{C}$	0.9	1.1	V
r_F		$T_j = 25^\circ\text{C}$	129	144	m Ω
	chipelevel	$T_j = 150^\circ\text{C}$	181	198	m Ω
I_{RRM}	$I_F = 8\text{ A}$	$T_j = 150^\circ\text{C}$	7.7		A
Q_{rr}	$V_{GE} = -15\text{ V}$	$T_j = 150^\circ\text{C}$	1.23		μC
	$V_{CC} = 600\text{ V}$				
E_{rr}	$di/dt_{off} = 335\text{ A}/\mu\text{s}$	$T_j = 150^\circ\text{C}$	0.5		mJ
$R_{th(j-s)}$	per Diode, $\lambda_{paste}=0.8\text{ W/K}\cdot\text{m}$		2.53		K/W
Rectifier - Diode					
$V_F = V_{EC}$	$I_F = 8\text{ A}$	$T_j = 25^\circ\text{C}$	1	1.2	V
	chipelevel	$T_j = 125^\circ\text{C}$	0.9	1.1	V
V_{F0}		$T_j = 25^\circ\text{C}$	0.9	1	V
	chipelevel	$T_j = 125^\circ\text{C}$	0.7	0.8	V
r_F		$T_j = 25^\circ\text{C}$	15	29	m Ω
	chipelevel	$T_j = 125^\circ\text{C}$	21	34	m Ω
$R_{th(j-s)}$	per Diode, $\lambda_{paste}=0.8\text{ W/K}\cdot\text{m}$		1.5		K/W
Module					
M_s	to heat sink		2	2.5	Nm
W			20		g
Temperature Sensor					
R_{100}	$T_r = 100^\circ\text{C}$, tolerance = 3 %		1670 \pm 3%		Ω
$R(T)$	$R(T)=1000\Omega[1+A(T-25^\circ\text{C})+B(T-25^\circ\text{C})^2]$ $A = 7.635 \cdot 10^{-3}\text{ }^\circ\text{C}^{-1}$, $B = 1.731 \cdot 10^{-5}\text{ }^\circ\text{C}^{-2}$				



NAC

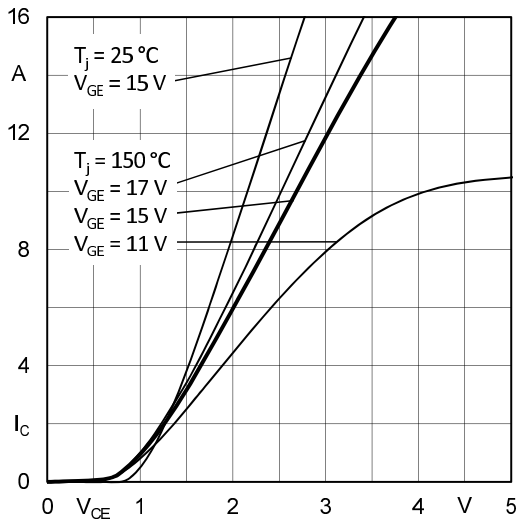


Fig. 1: Typ. output characteristic

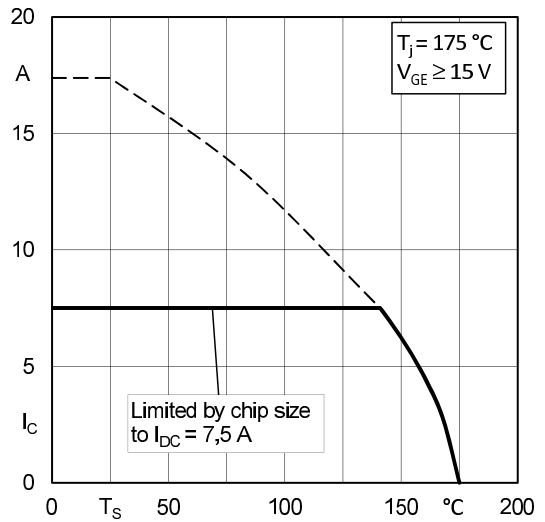


Fig. 2: Typ. rated current vs. temperature $I_C = f(T_s)$

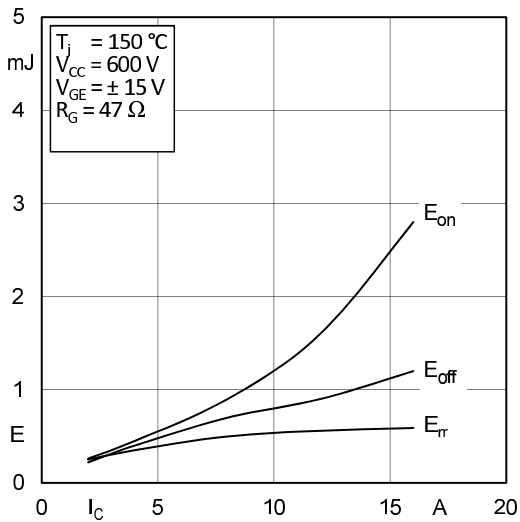


Fig. 3: Typ. turn-on /-off energy = $f(I_C)$

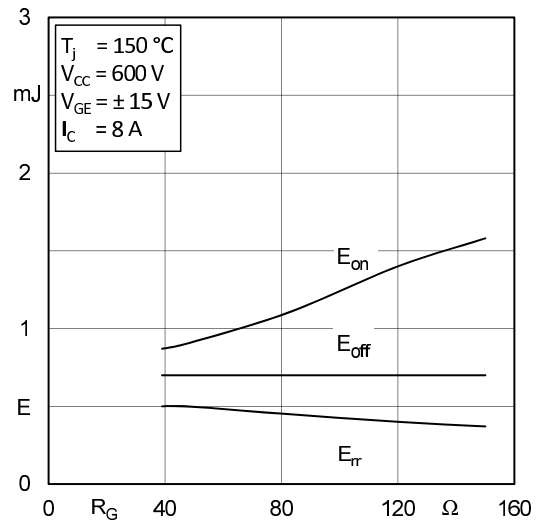


Fig. 4: Typ. turn-on /-off energy = $f(R_G)$

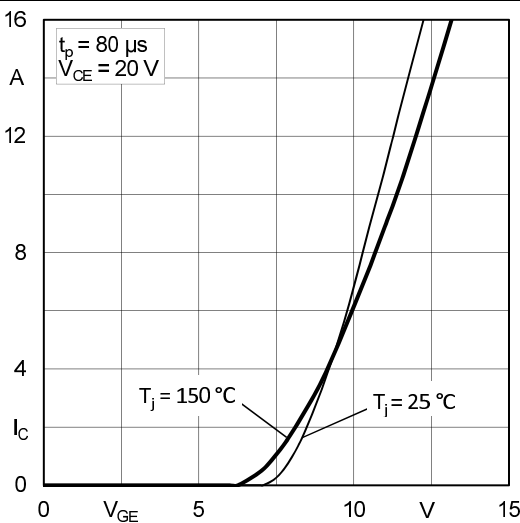


Fig. 5: Typ. transfer characteristic

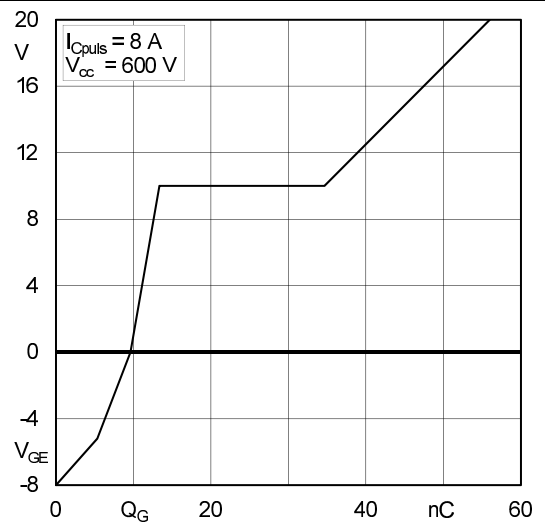


Fig. 6: Typ. gate charge characteristic

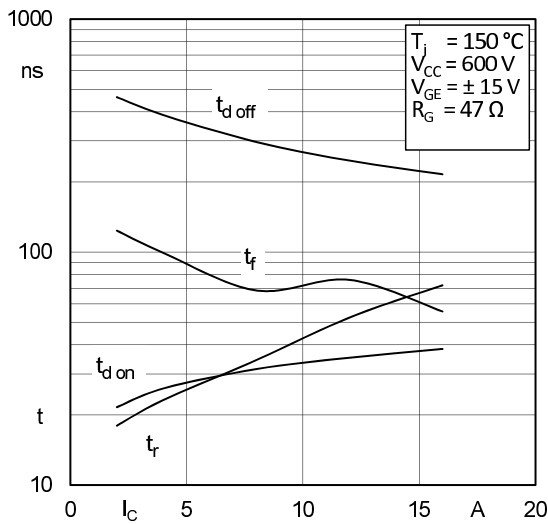


Fig. 7: Typ. switching times vs. I_c

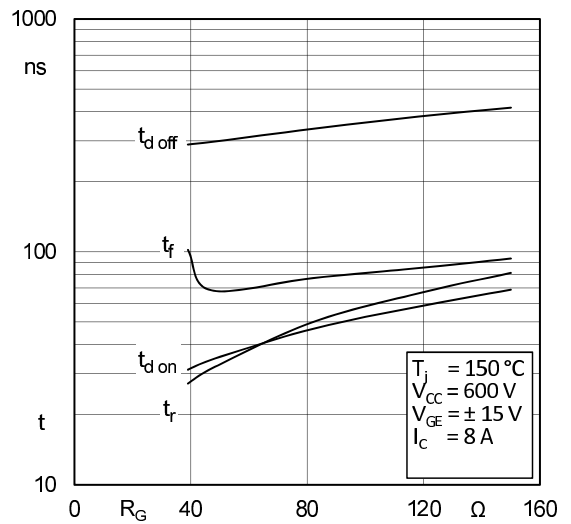


Fig. 8: Typ. switching times vs. gate resistor R_G

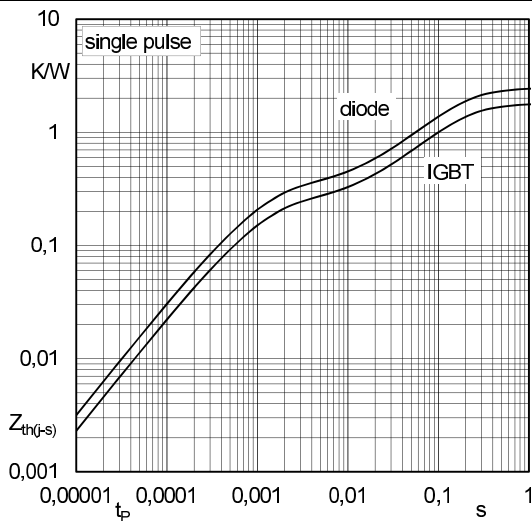


Fig. 9: Transient thermal impedance of IGBT and Diode

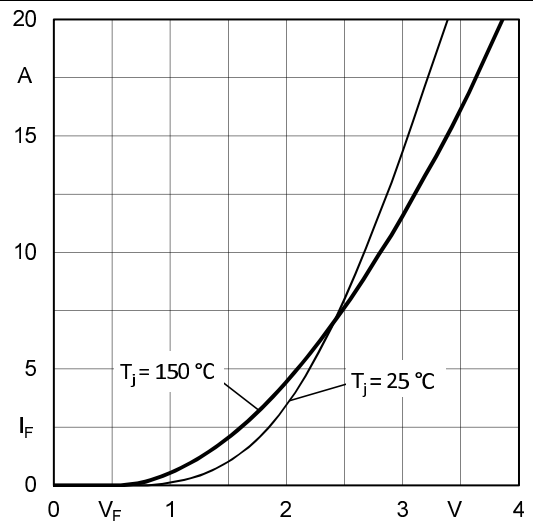


Fig. 10: CAL diode forward characteristic

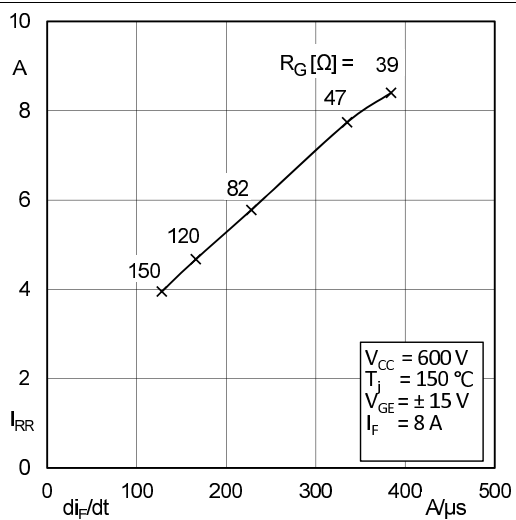


Fig. 11: Typ. CAL diode peak reverse recovery current

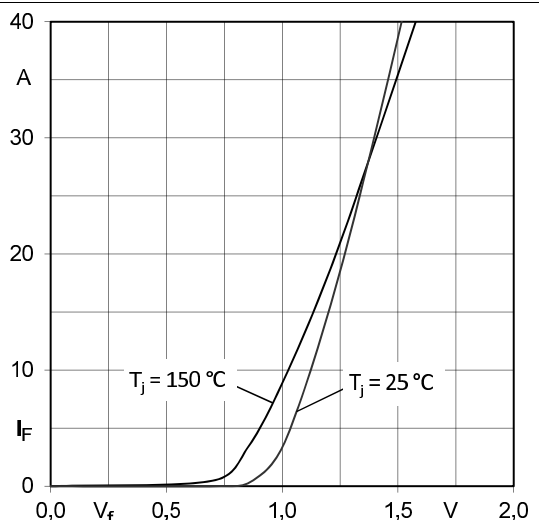
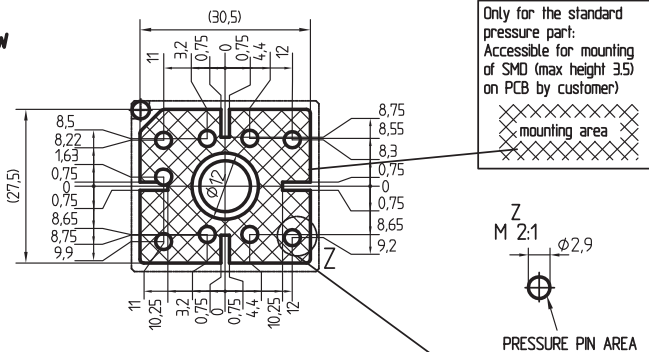


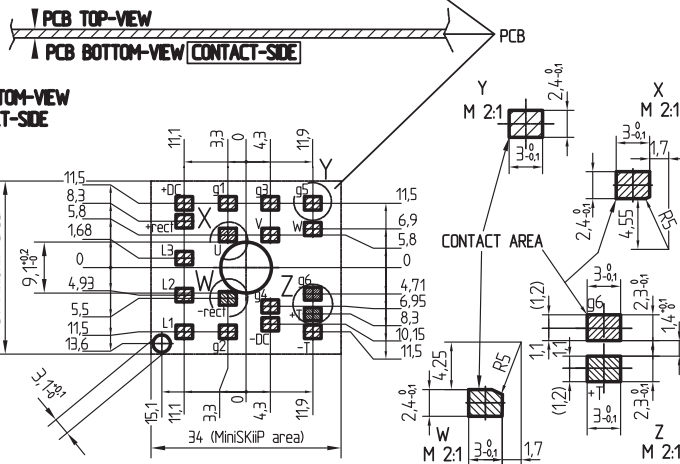
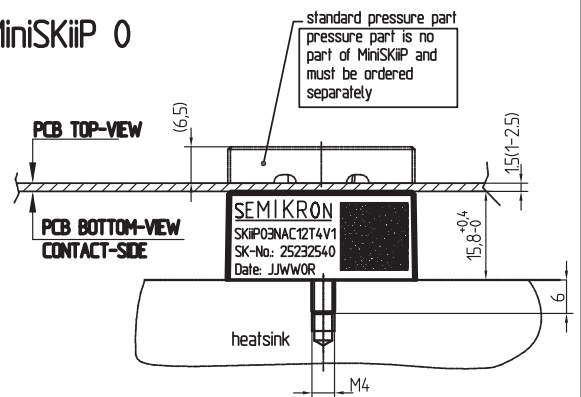
Fig. 12: Typ. input bridge forward characteristic

SKiIP 03NAC12T4V1

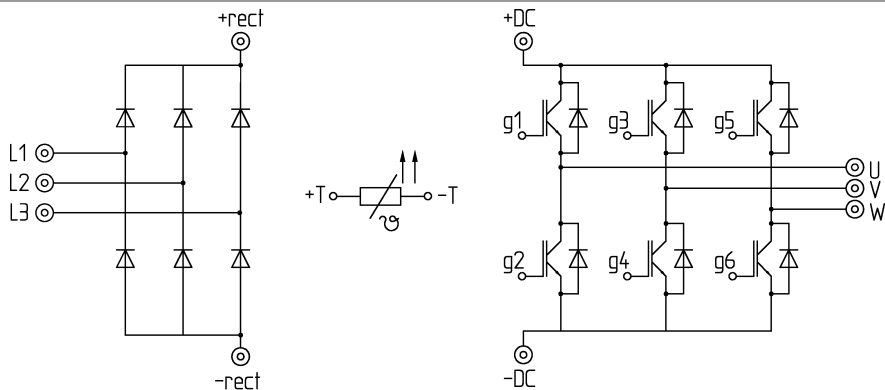
PCB PCB TOP-VIEW



MiniSKiIP 0



pinout, dimensions



pinout

- ⊙ power connector
- control connector

This is an electrostatic discharge sensitive device (ESDS), international standard IEC 60747-1, Chapter IX

* The specifications of our components may not be considered as an assurance of component characteristics. Components have to be tested for the respective application. Adjustments may be necessary. The use of SEMIKRON products in life support appliances and systems is subject to prior specification and written approval by SEMIKRON. We therefore strongly recommend prior consultation of our staff.